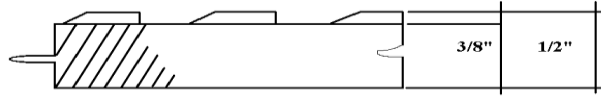


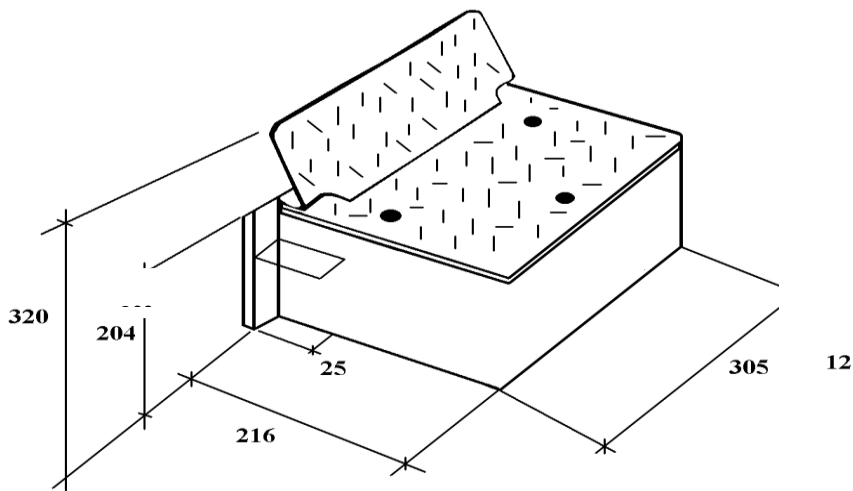


# SB.6 SUNKEN FLOW PLATE

## STANDARD DIMENSION



SECTION OF DURBAR PLATE



295MM

